

DAMPERS - METAL

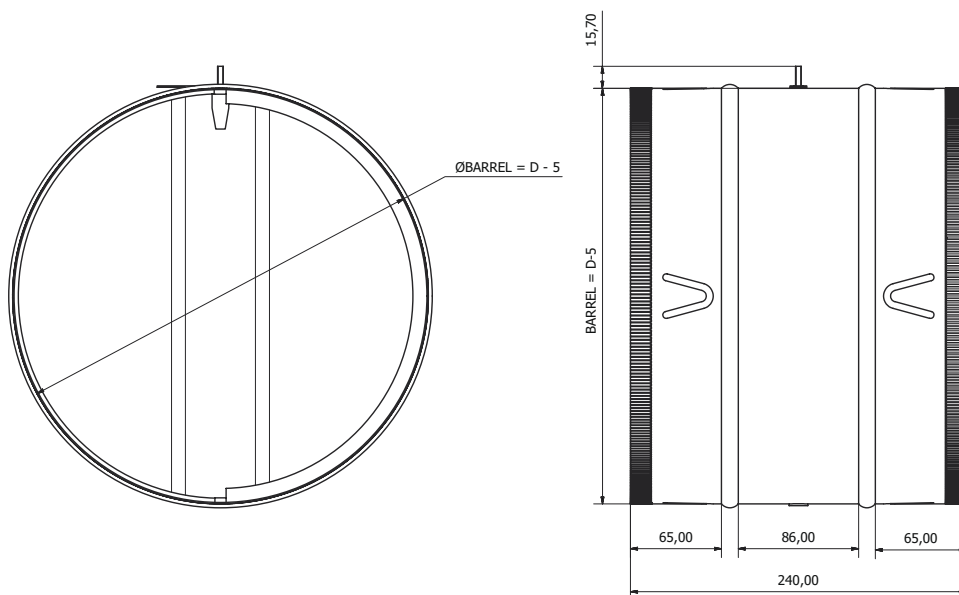


Features

- Designed for volume control adjustment in flexible duct runs.
- Available in sizes 150mm, 200mm, 250mm, 300mm, 350mm, 400mm and 450mm.
- Construction is from galvanised steel with provision for flexible duct connection on both sides.

Polyaire Metal Damper - Insulated

Sizes Available/Dimensions			
Item #	Size		
	mm	inch	
549154	150	6"	
549155	200	8"	
549156	250	10"	
549157	300	12"	
549158	350	14"	
549159	400	16"	
549160	450	18"	
549161	500	18"	



All sales are made on the basis of the 'Polyaire Terms and Conditions of Trade' ©2016 Polyaire™ Pty Ltd. The manufacturer reserves the right to alter product specifications without notice. E. & O.E. Conditions Apply.