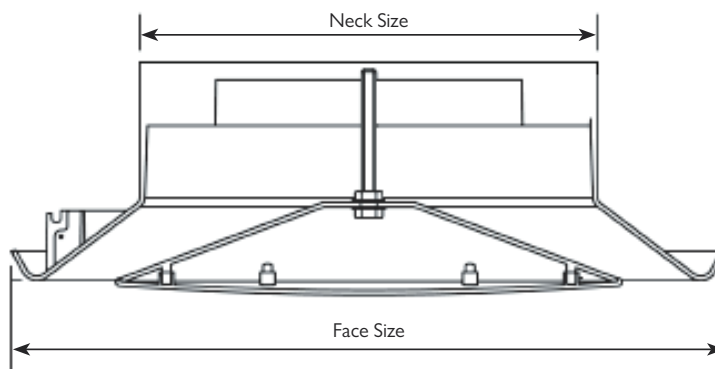


ROUND CEILING DIFFUSER



The standard Polyaire Round Ceiling Diffuser is manufactured from high impact ABS for long term strength and rigidity. It is fully adjustable by rotating the centre cone from total shutoff to fully open.

The standard colour is off-white, the outer surface is lightly etched to reduce reflection and fit unobtrusively with most decors. Available in 4 sizes, it allows for smooth quiet airflow that flows out in a concentric pattern across the ceiling, to provide good coverage in cooling and most heating applications.



Round Ceiling Diffuser - Plastic

Sizes Available/Dimensions					
Item #	Nominal Neck Size		Face Size		
	mm	inch	mm	mm	inch
235384	Ø 150	Ø 6"	Ø 265	Ø 265	Ø 10"
237100	Ø 200	Ø 8"	Ø 318	Ø 318	Ø 13"
237101	Ø 250	Ø 10"	Ø 390	Ø 390	Ø 15"
237102	Ø 300	Ø 12"	Ø 441	Ø 441	Ø 17"

Round Ceiling Diffuser - Plastic Insulated

Sizes Available/Dimensions					
Item #	Nominal Neck Size		Face Size		
	mm	inch	mm	mm	inch
235280	Ø 200	Ø 8"	Ø 318	Ø 318	Ø 13"
235281	Ø 250	Ø 10"	Ø 390	Ø 390	Ø 15"
235282	Ø 300	Ø 12"	Ø 441	Ø 441	Ø 17"

Aluminium Round Ceiling Diffuser - PA Plate

Sizes Available/Dimensions					
Item #	Nominal Neck Size		Face Size		
	mm	inch	mm	mm	inch
245270	Ø 150	Ø 6"	Ø 320	Ø 320	Ø 13"
245271	Ø 200	Ø 8"	Ø 412	Ø 412	Ø 16"
245272	Ø 250	Ø 10"	Ø 480	Ø 480	Ø 19"
245273	Ø 300	Ø 12"	Ø 550	Ø 550	Ø 22"